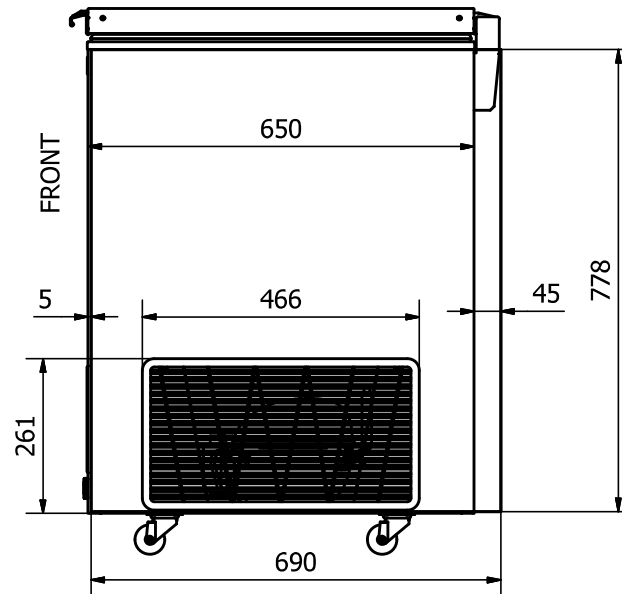
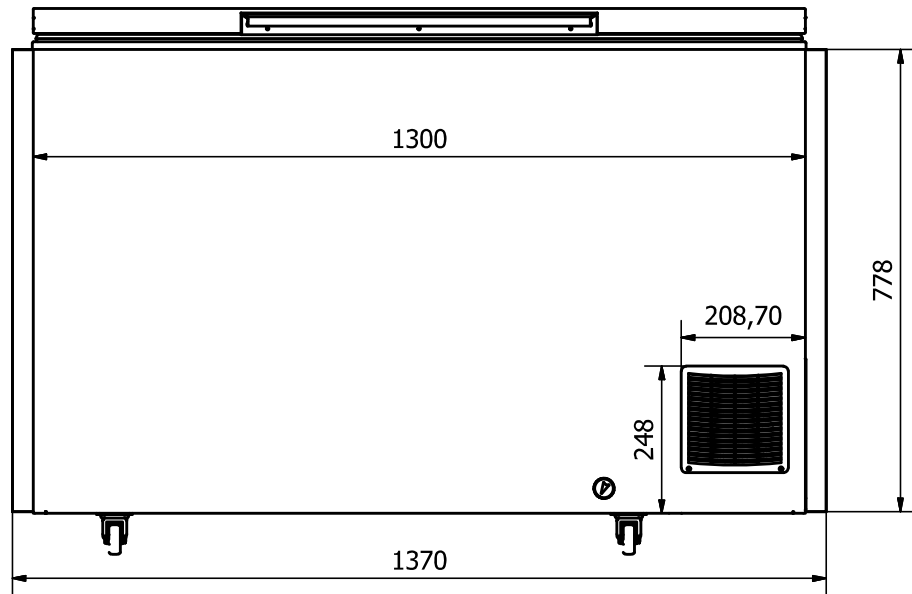


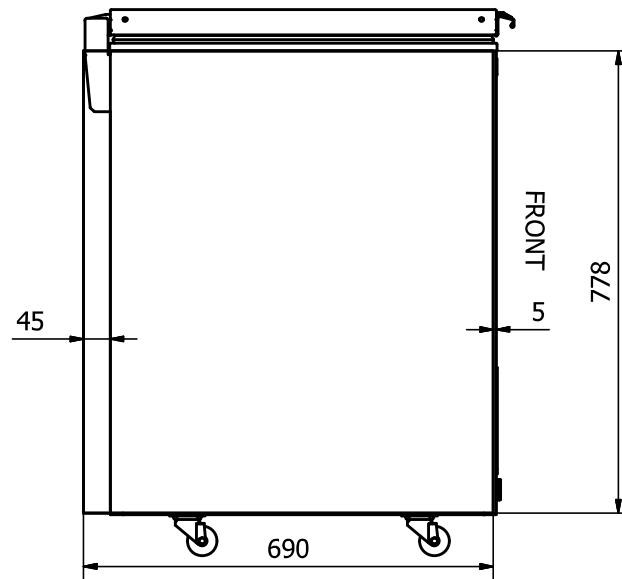
FRONT: Sticker 1370 x 778 mm

CVG 45

RIGHT SIDE: Sticker 690 x 778 mm



LEFT SIDE: Sticker 690 x 778 mm



Comments:

The FRONT sticker will be taken around the corners by approx. 35 mm in each side
 The SIDE stickers will be mounted approx. 5 mm from the FRONT and will be taken around the BACK corner by approx. 45 mm

Designed by	Checked by	Approved by	Date	Date	
Marina Pedersen				11-08-2020	
Elcold Aps			Streamer measurements 3-sided, mm		
CVG 45			Edition	Sheet	
				1 / 1	